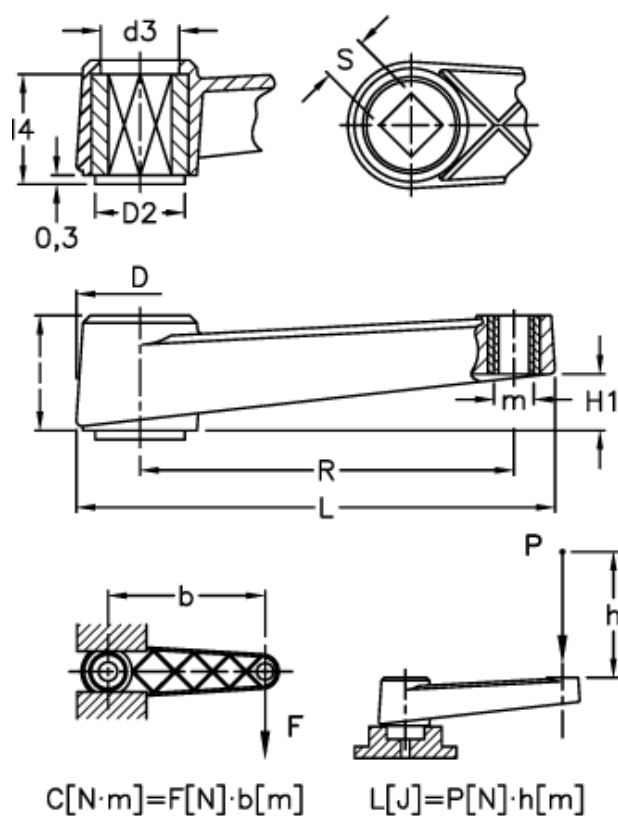


Article number: 230100044311  
 Description: E+G Crank handle  
 MT.100 AS-12x12-SI

## Measures



C (N m) = 200	l4 = 27
D = 34	m = M8
d2 = 25	R = 100
d3 = 21	S H9 = 12x12
H1 = 15	
l = 30	
L = 128	
L(J) = 27	